

**WIRING DIAGRAMS**  
**Article Text**  
 1992 Volkswagen Corrado  
 For Volkswagen Technical Site  
 Copyright © 1998 Mitchell Repair Information Company, LLC  
 Tuesday, December 07, 1999 11:25PM

**ARTICLE BEGINNING**

1992 WIRING DIAGRAMS  
 Volkswagen Wiring Diagrams

Volkswagen; Corrado

**COMPONENT LOCATION MENU**

COMPONENT LOCATIONS TABLE

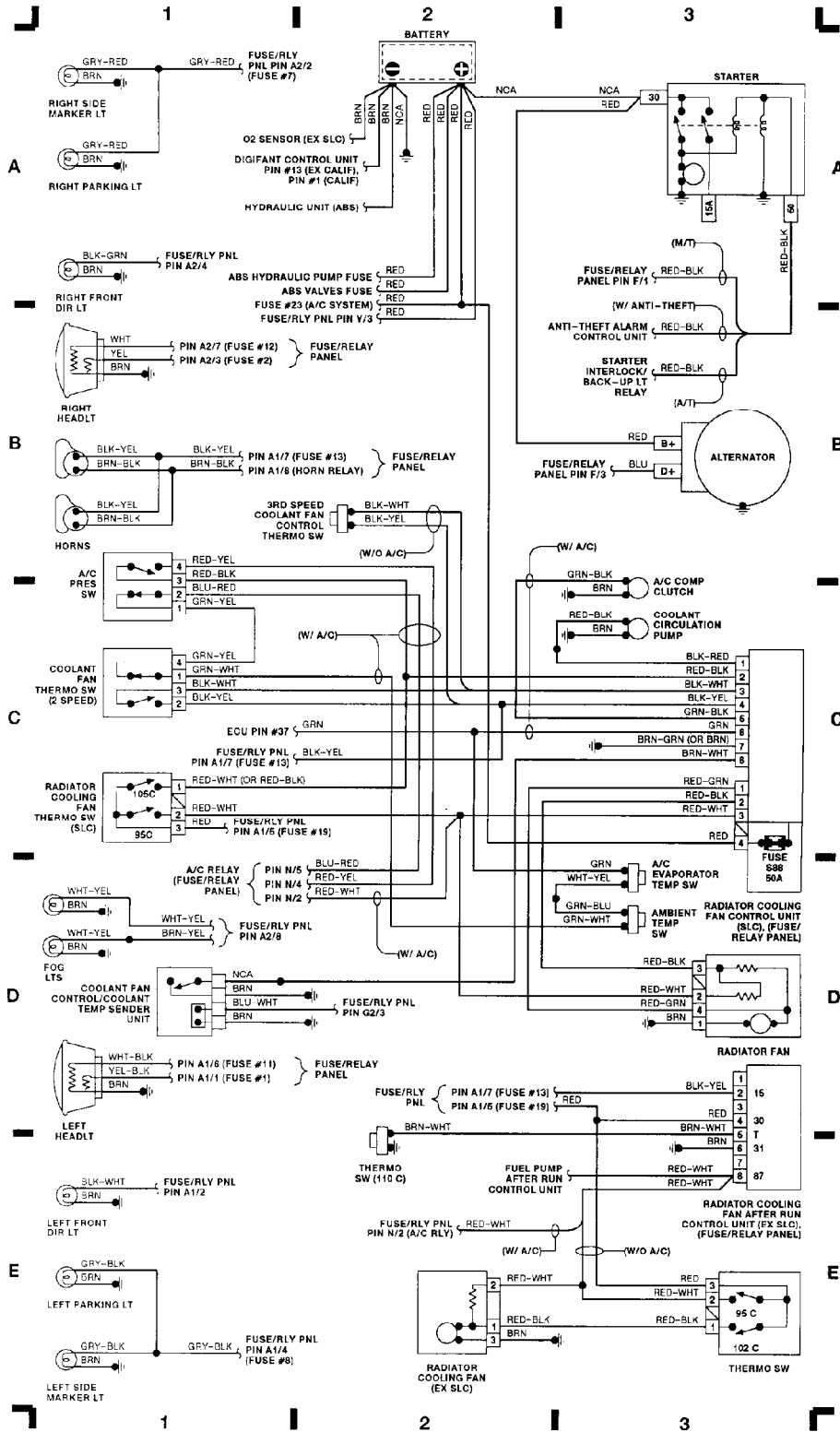
AA

Component	Figure No. (Location)
A/C COMPRESSOR CLUTCH (EXCEPT SLC) .....	7 (D 26, 27)
A/C COMPRESSOR CLUTCH (SLC) .....	7 (C 3)
A/C PRESSER SWITCH (SLC) .....	1 (C 1)
A/C SWITCH .....	7 (E 24, 27)
ABS CONTROL UNIT .....	5 (B 16-18)
ABS DIAGNOSTIC CONNECTOR .....	5 (D 19)
ABS HYDRAULIC PUMP FUSE .....	5 (E 19)
ABS VALVE FUSE .....	5 (A 16)
ABS WARNING SWITCHES .....	5 (B 19)
ALTERNATOR .....	1 (B 3)
ANTI-THEFT ALARM CONTROL UNIT .....	4 (E 12)
BACK-UP LIGHT SWITCH .....	9 (E 32, 33)
BATTERY .....	1 (A 2)
BEAM SELECT SWITCH .....	7 (A 24)
BRAKE FLUID LEVEL SWITCH .....	9 (A 35)
CENTRAL LOCK CONTROL UNIT .....	11 (A 43)
CIGARETTE LIGHTER AND LIGHT .....	8 (A 28)
COOLANT FAN CONTROL/COOLANT TEMPERATURE SENDER UNIT ...	1 (D 1)
COOLANT TEMPERATURE SENDER (EXCEPT SLC) .....	8 (A 29)
CRUISE CONTROL UNIT .....	5 (A 16, 19)
DEFOGGER SWITCH .....	9 (E 33)
DIGIFANT CONTROL UNIT (CALIF) .....	2 (A, B 7)
DIGIFANT CONTROL UNIT (EXCEPT CALIF) .....	2 (D, E 7)
DIRECTIONAL HAZARD SWITCH .....	7 (A 25)
DOOR SWITCHES .....	11 (B 42)
ENGINE CONTROL MODULE (ECM)(SLC) .....	3 (A, E 11)
FOG LIGHT SWITCH .....	7 (A 27)
FRESH AIR SWITCH .....	7, 10 (E 26, E 36)
FRESH AIR SWITCH ILLUMINATION LIGHT .....	7 (D 24)
FUEL INJECTORS .....	2, 3 (A 5, E 5, 6, D 8)
FUEL PUMP AFTER RUN CONTROL UNIT .....	6 (E 22, 23)
FUEL TANK SENDER .....	6 (E 22)
FUSE #23 .....	7 (D 24)
FUSE #51 .....	10 (D 38)
FUSE/RELAY PANEL .....	6, 9 (C 20, 35)
FUSE/RELAY PANEL LAYOUT .....	11 (D, E 41, 43)
GLOVE COMPARTMENT LIGHT .....	9 (D 34, 35)
HYDRAULIC PUMP RELAY .....	5 (D, E 19)
HYDRAULIC UNIT .....	5 (E 17, 19)

**WIRING DIAGRAMS**  
**Article Text (p. 2)**  
 1992 Volkswagen Corrado  
 For Volkswagen Technical Site  
 Copyright © 1998 Mitchell Repair Information Company, LLC  
 Tuesday, December 07, 1999 11:25PM

IGNITION BOOSTER .....	2 (C 4)
IGNITION COIL .....	2, 3 (E 4, E 10)
IGNITION SWITCH .....	6 (A 20)
INSTRUMENT CLUSTER .....	10 (A, D 36, 38)
INTERIOR LIGHT SWITCH .....	12 (E 42)
LEFT REAR MICRO SWITCH .....	10 (D 37)
LEFT SEAT BELT CONTROL UNIT .....	10 (D 39)
LIGHT SWITCH .....	6 (A 22, 23)
LUGGAGE COMPARTMENT LIGHT SWITCH .....	8 (A 30)
MAKE UP MIRROR .....	12 (E 46)
O2 SENSOR .....	2, 3 (B 4, C, D 6, A 9, 10)
OIL PRESSER GAUGE .....	10 (A 39)
OIL PRESSER SWITCHES .....	8 (A 29)
PARK BRAKE SWITCH .....	9 (A 35)
POWER MIRRORS .....	12 (B, D 46)
POWER WINDOW CIRCUIT BREAKER .....	11 (A 42)
POWER WINDOWS .....	11 (B, D 40, 43)
PROGRAM SWITCH .....	4 (B 12)
RADIATOR COOLING FAN (EXCEPT SLC) .....	1 (E 2)
RADIATOR COOLING FAN (SLC) .....	1 (D 3)
RADIATOR COOLING FAN AFTER RUN CONTROL UNIT (EXCEPT SLC) .....	1 (E 3)
RADIATOR COOLING FAN CONTROL UNIT (SLC) .....	1 (C, D 3)
RADIATOR COOLING FAN THERMO SWITCH (SLC) .....	1 (C 1)
REAR SPOILER SYSTEM .....	12 (A, B 44, 46)
REAR WIPER SYSTEM .....	8 (E 30, 31)
RIGHT SEAT BELT CONTROL UNIT .....	10 (B, C 39)
SEAT BELT SWITCH .....	9 (E 35)
SEAT HEATER SYSTEM .....	12 (C, E 44, 45)
SPEED SENSOR .....	8 (B 30)
STARTER .....	1 (A 3)
STARTER INTERLOCK/BACK-UP LIGHT RELAY (AUTOMATIC TRANSMISSION) .....	4 (A 12)
STOP LIGHT SWITCH .....	9 (B 33)
SUN ROOF .....	11 (E 40, 41)
THROTTLE POSITION SENSOR .....	2, 3 (C 4, 5, D 4, E 8)
VACUUM VENT VALVE .....	5 (B 17, B 18)
VOLTMETER .....	10 (B 39)
WINDSHIELD WIPER SYSTEM .....	8 (D, E 28, 31)
WARNING MODULE .....	5, 9 (C, D 16, A 32)
WASHER NOZZLE HEATERS .....	8 (E 31)
AA	

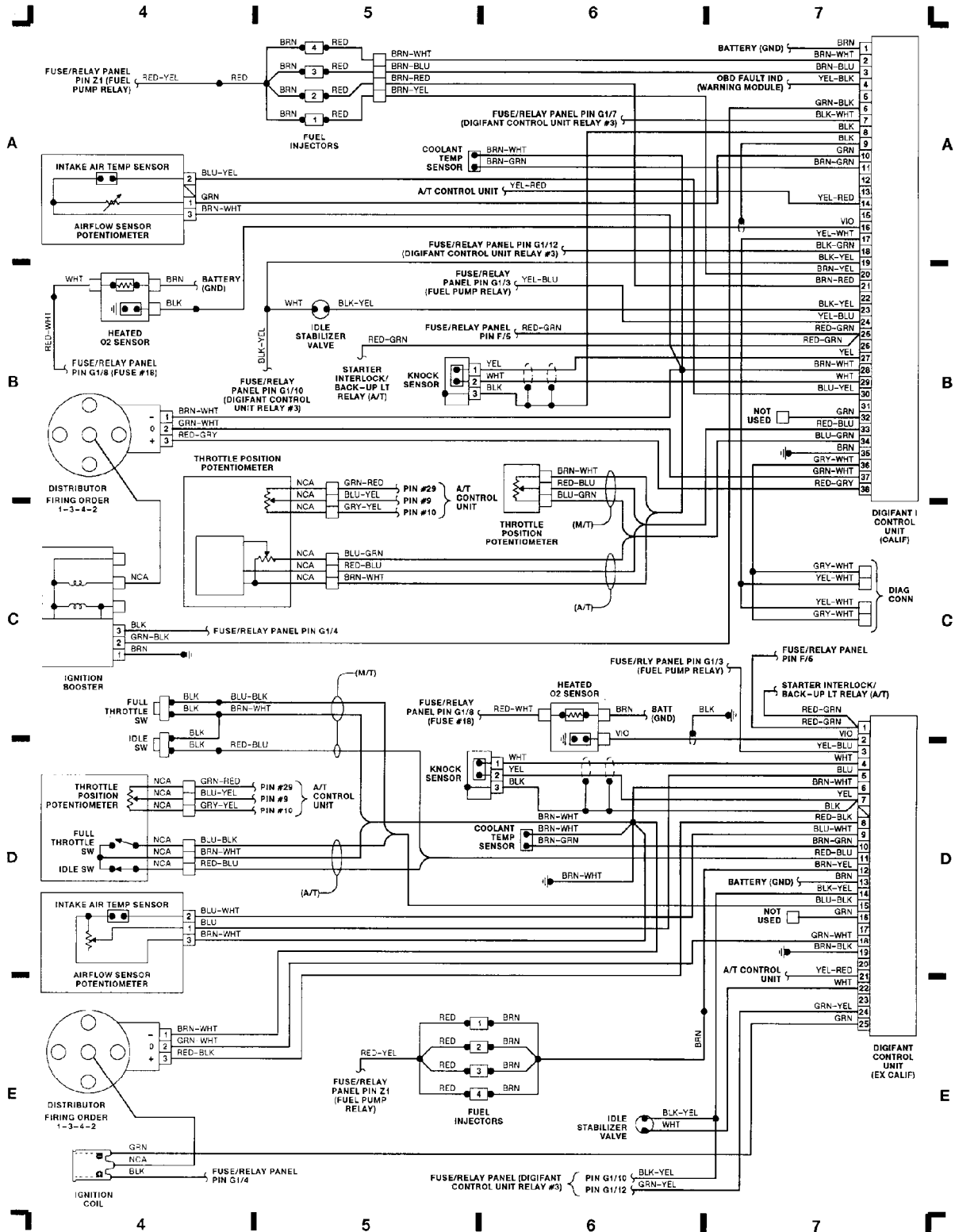
**WIRING DIAGRAMS**  
**Article Text (p. 3)**  
 1992 Volkswagen Corrado  
 For Volkswagen Technical Site  
 Copyright © 1998 Mitchell Repair Information Company, LLC  
 Tuesday, December 07, 1999 11:25PM



93103804

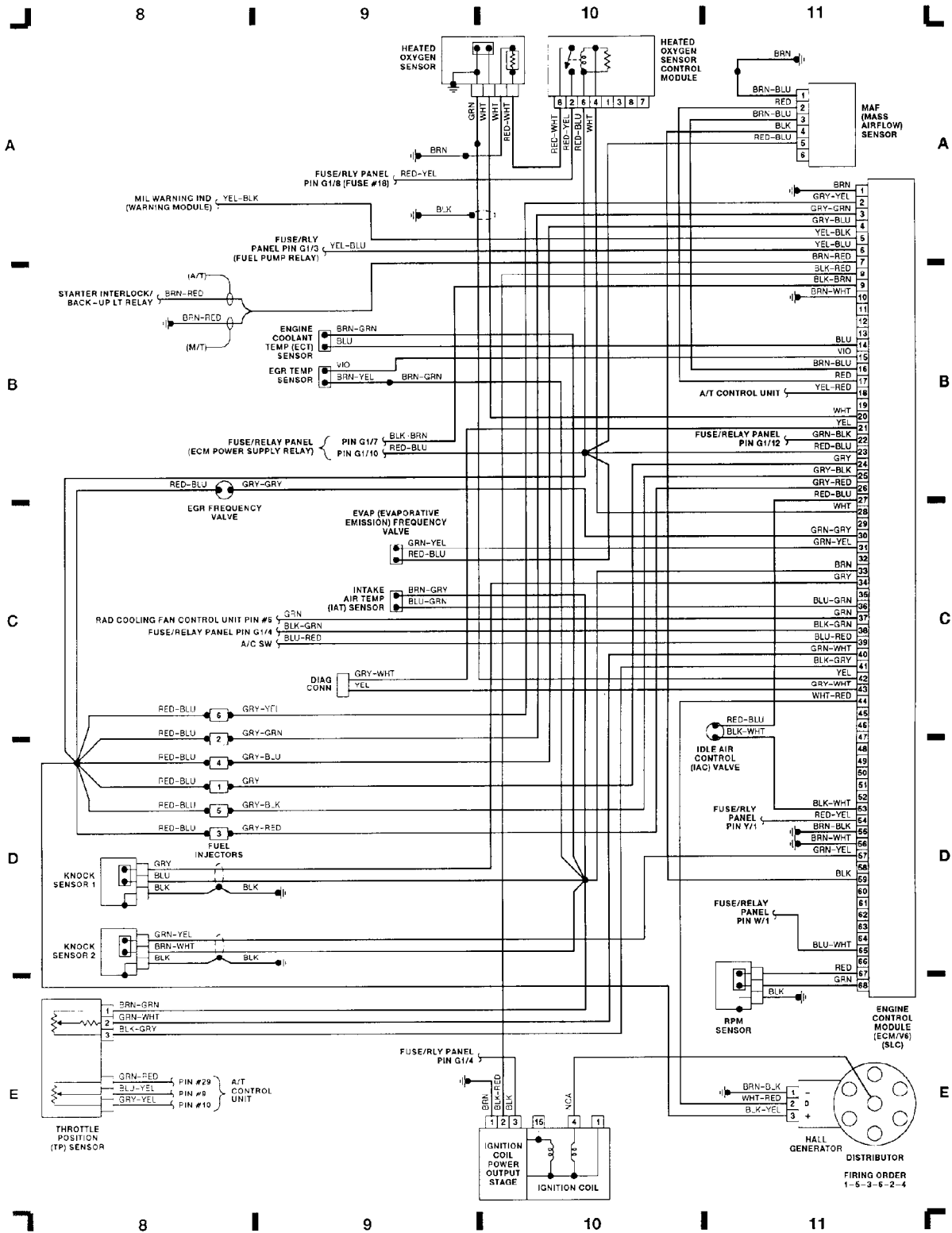
Fig. 1: Engine Compartment, Headlights (Grid 1-3)

**WIRING DIAGRAMS**  
**Article Text (p. 4)**  
 1992 Volkswagen Corrado  
 For Volkswagen Technical Site  
 Copyright © 1998 Mitchell Repair Information Company, LLC  
 Tuesday, December 07, 1999 11:25PM



93B03805  
 Fig. 2: Digifant Control Unit, Distributor (Grid 4-7)

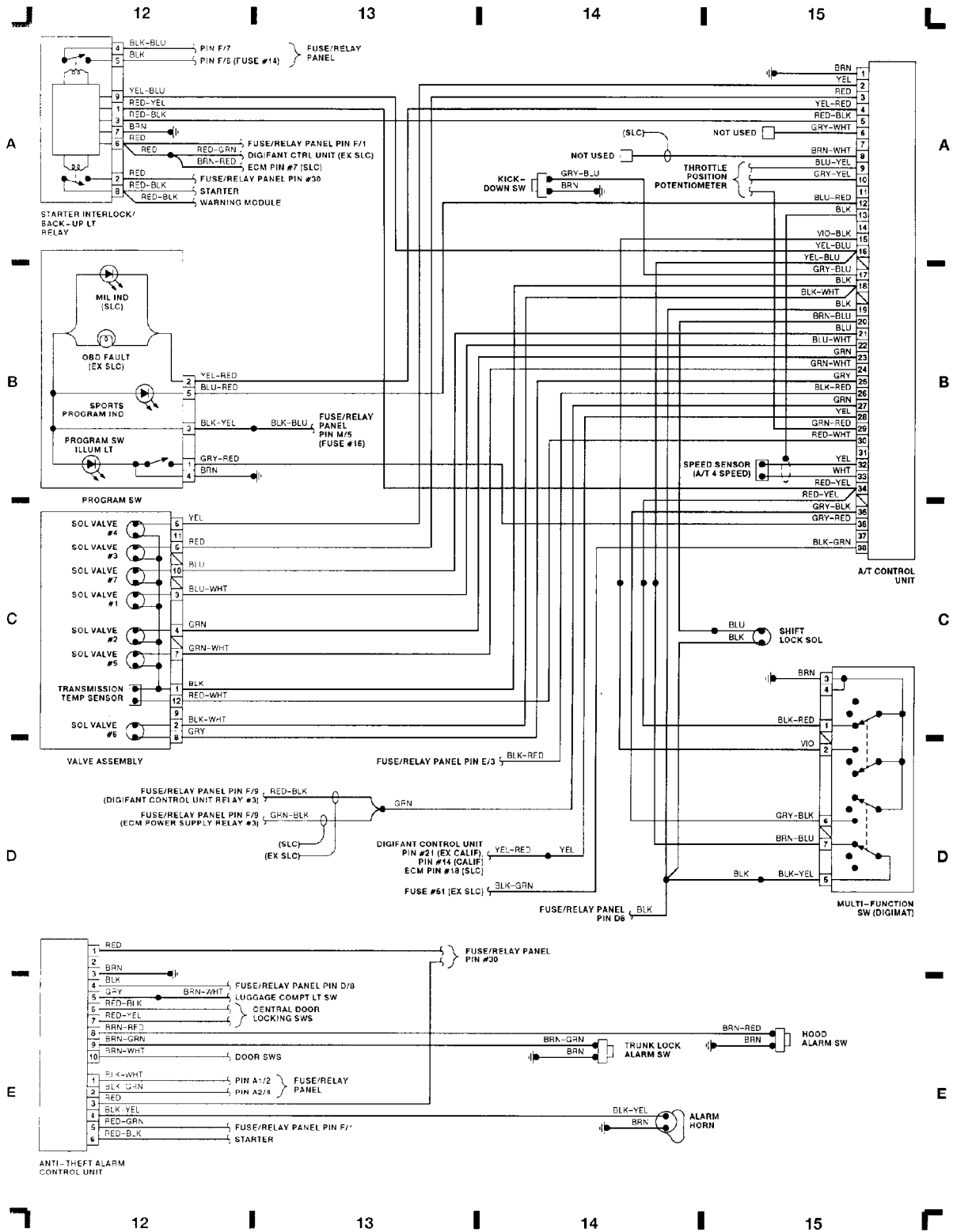
**WIRING DIAGRAMS**  
**Article Text (p. 5)**  
 1992 Volkswagen Corrado  
 For Volkswagen Technical Site  
 Copyright © 1998 Mitchell Repair Information Company, LLC  
 Tuesday, December 07, 1999 11:25PM



93D03806

Fig. 3: Engine Control Module (ECM) (SLC) (Grid 8-11)

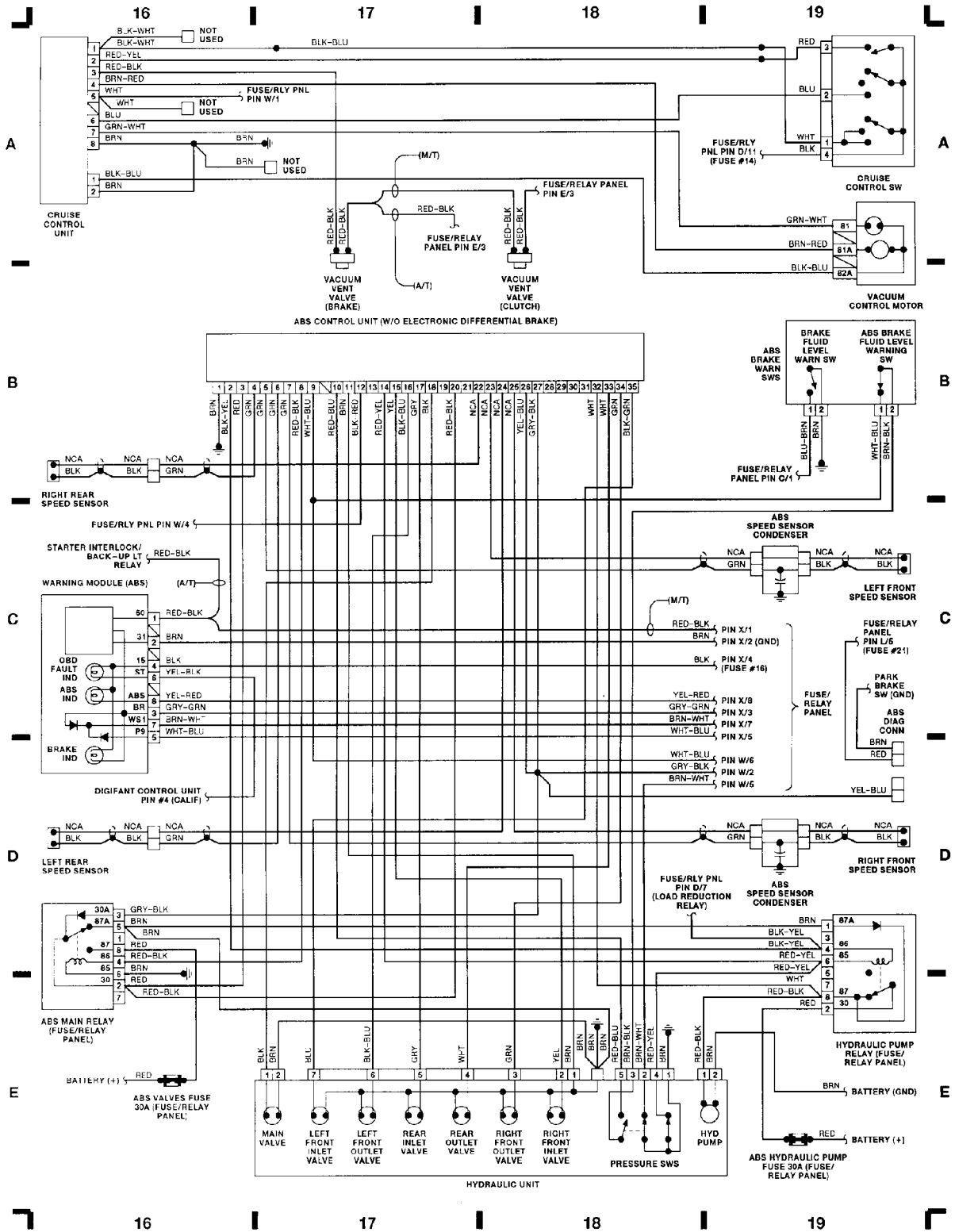
**WIRING DIAGRAMS**  
**Article Text (p. 6)**  
 1992 Volkswagen Corrado  
 For Volkswagen Technical Site  
 Copyright © 1998 Mitchell Repair Information Company, LLC  
 Tuesday, December 07, 1999 11:25PM



93F03807

Fig. 4: Anti-Theft Alarm Control Unit, A/T Control (Grid 12-15)

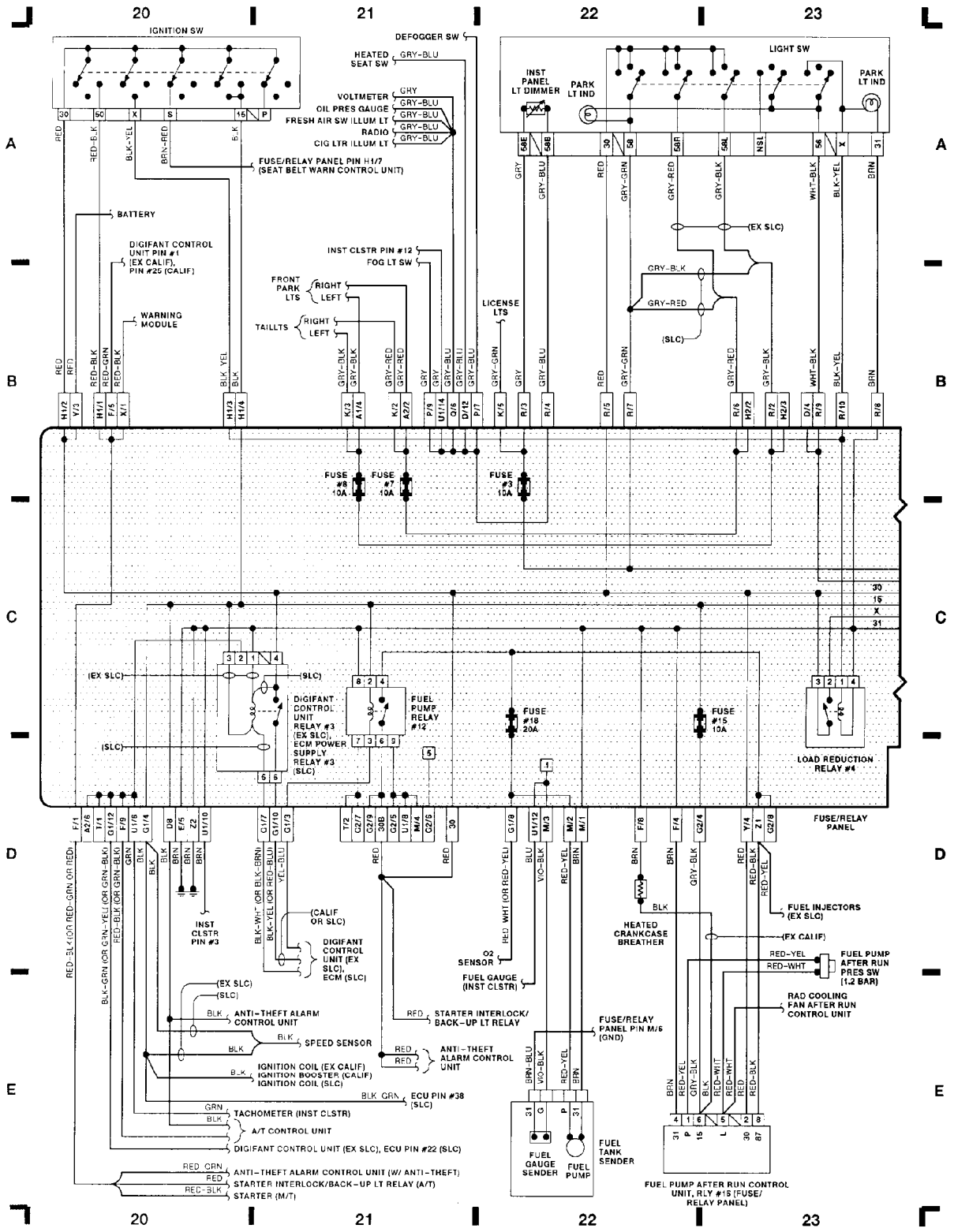
**WIRING DIAGRAMS**  
**Article Text (p. 7)**  
 1992 Volkswagen Corrado  
 For Volkswagen Technical Site  
 Copyright © 1998 Mitchell Repair Information Company, LLC  
 Tuesday, December 07, 1999 11:25PM



93H03808

Fig. 5: Cruise Control Unit, Hydraulic Unit (Grid 16-19)

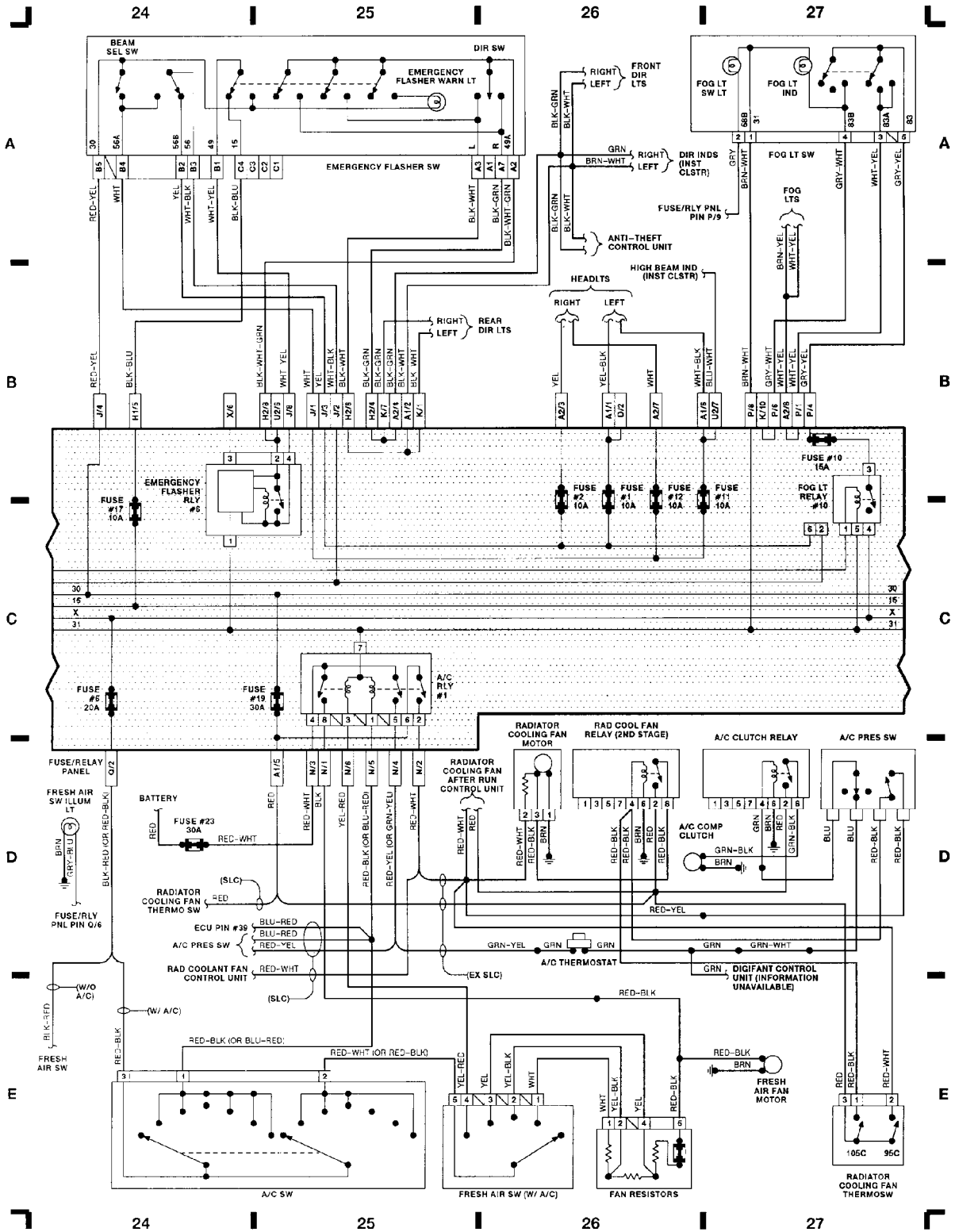
**WIRING DIAGRAMS**  
**Article Text (p. 8)**  
 1992 Volkswagen Corrado  
 For Volkswagen Technical Site  
 Copyright © 1998 Mitchell Repair Information Company, LLC  
 Tuesday, December 07, 1999 11:25PM



93J03809  
 Fig. 6: Ignition Sw, Light Sw, Fuse/Relay Panel (Grid 20-23)

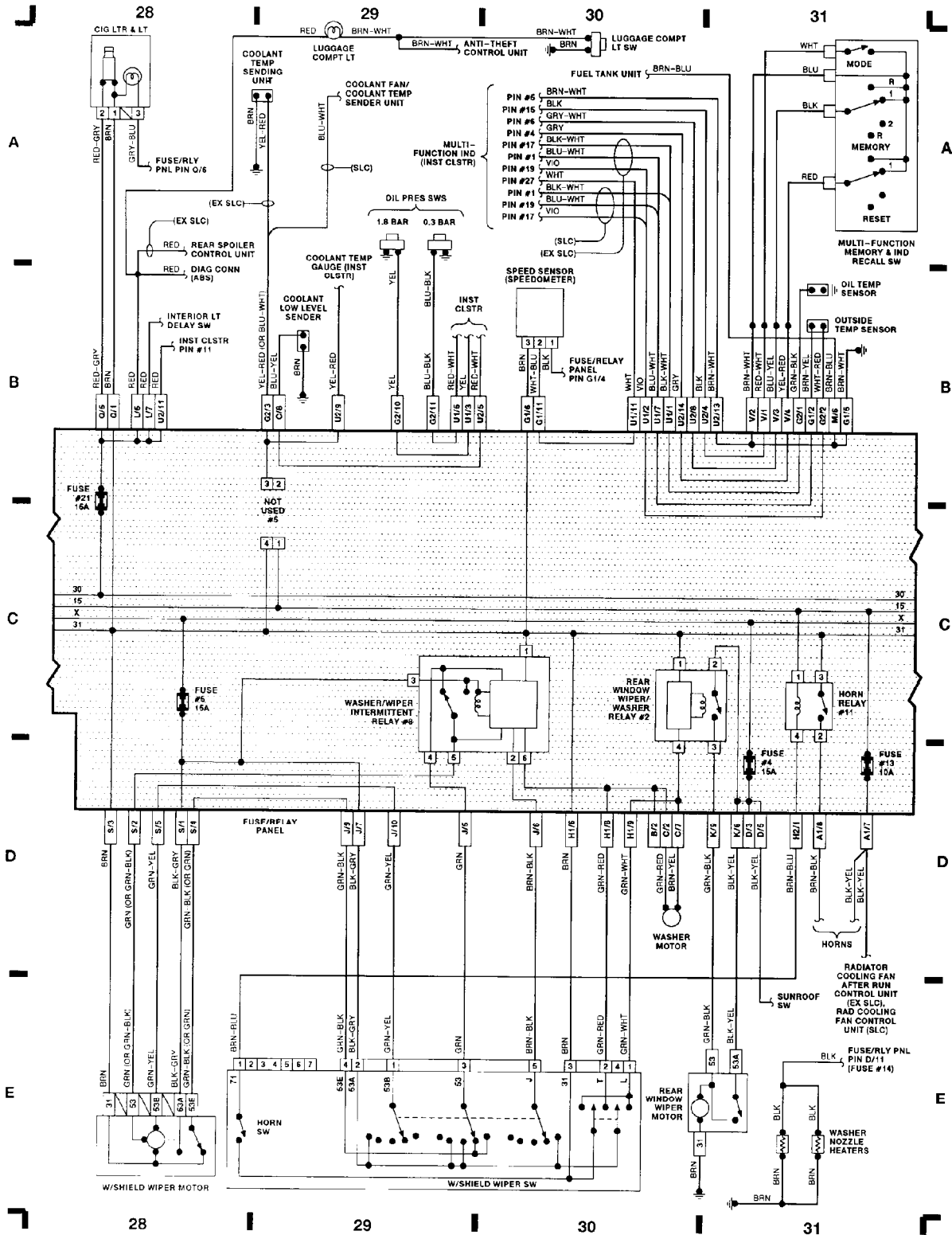


**WIRING DIAGRAMS**  
**Article Text (p. 9)**  
 1992 Volkswagen Corrado  
 For Volkswagen Technical Site  
 Copyright © 1998 Mitchell Repair Information Company, LLC  
 Tuesday, December 07, 1999 11:25PM



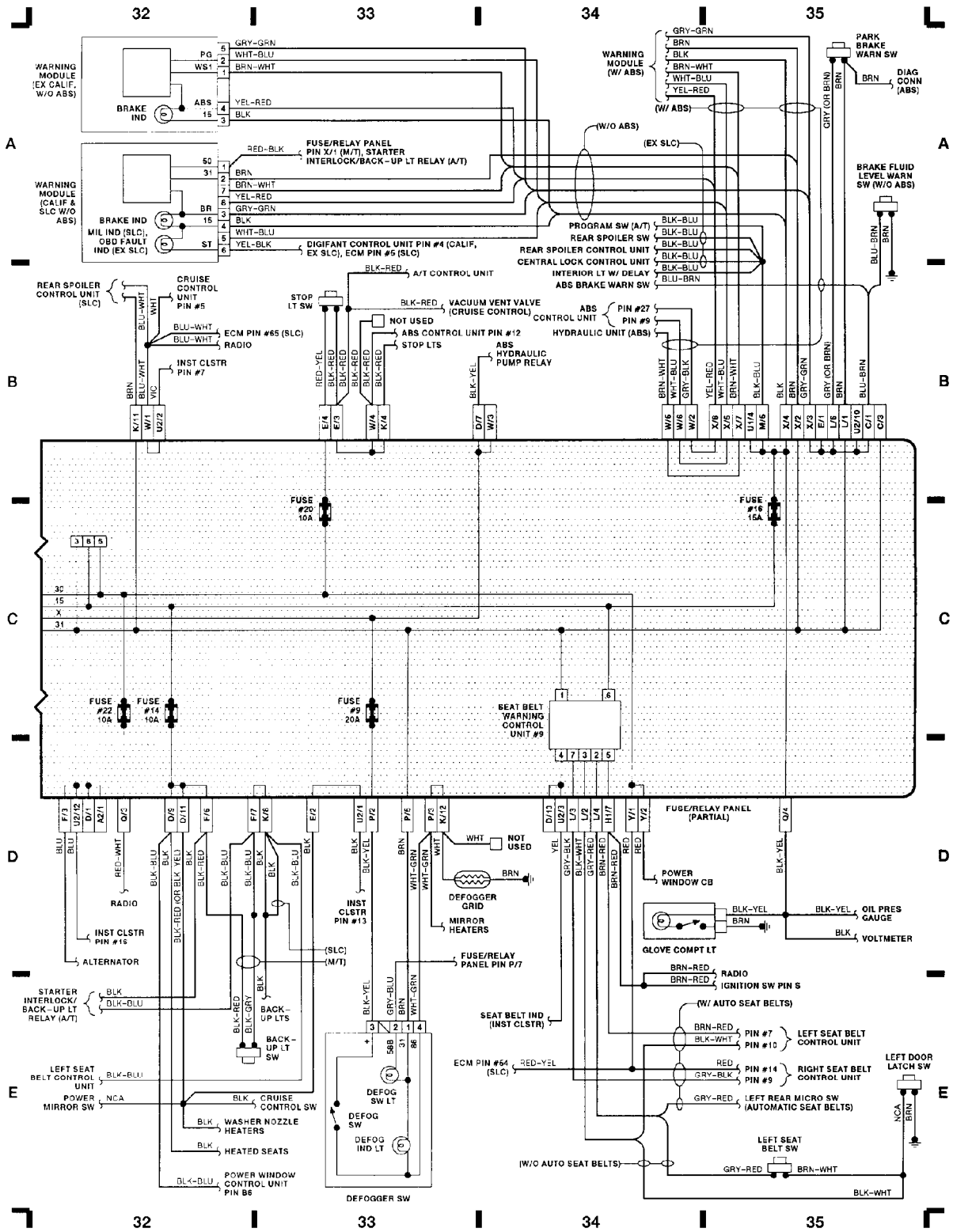
93B03810  
 Fig. 7: Emergency Flasher Sw, Fuse/Relay Panel (Grid 24-27)

**WIRING DIAGRAMS**  
**Article Text (p. 10)**  
 1992 Volkswagen Corrado  
 For Volkswagen Technical Site  
 Copyright © 1998 Mitchell Repair Information Company, LLC  
 Tuesday, December 07, 1999 11:25PM



93D03811  
 Fig. 8: Windshield Wiper Sw, Fuse/Relay Panel (Grid 28-31)

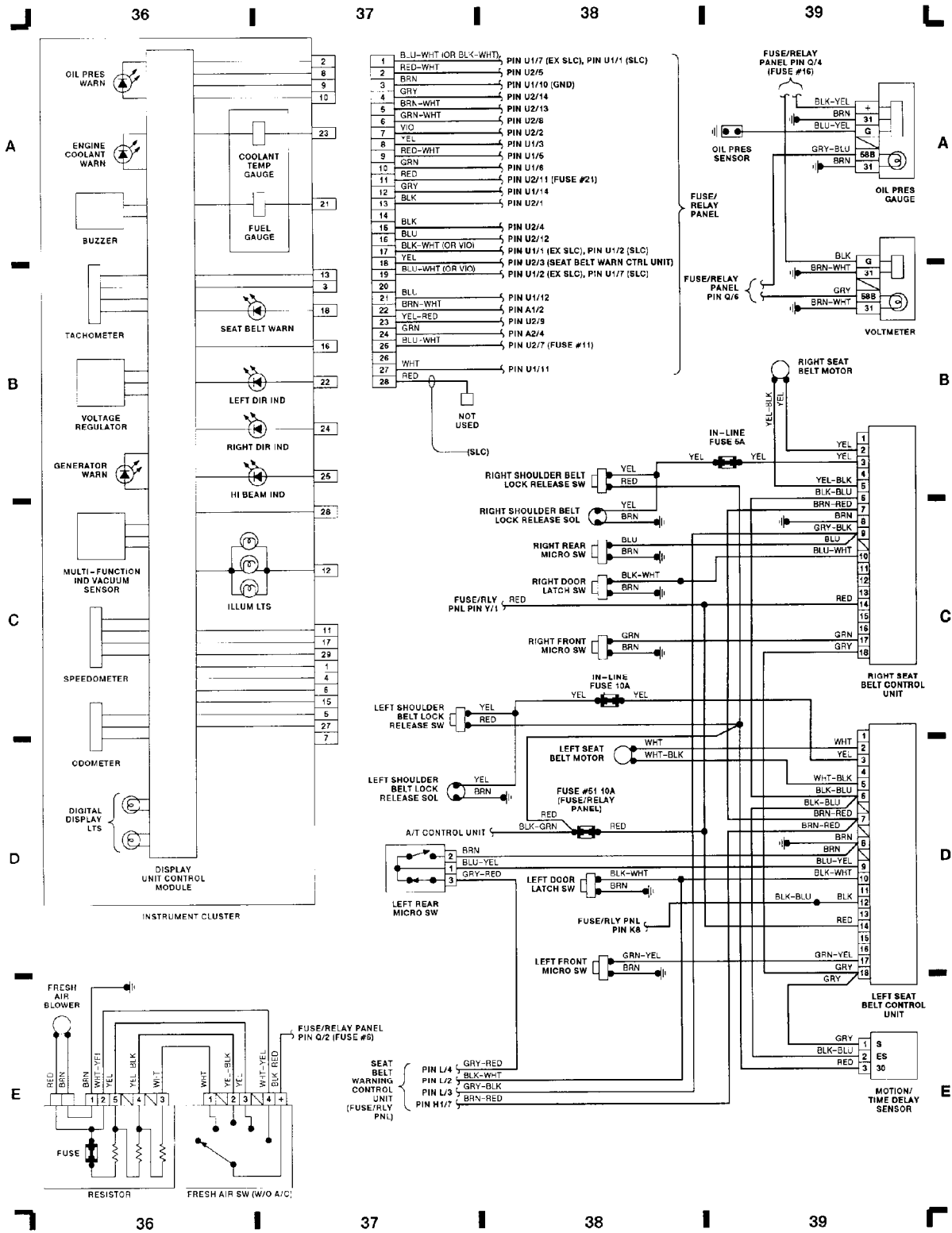
**WIRING DIAGRAMS**  
**Article Text (p. 11)**  
 1992 Volkswagen Corrado  
 For Volkswagen Technical Site  
 Copyright © 1998 Mitchell Repair Information Company, LLC  
 Tuesday, December 07, 1999 11:25PM



93F03812

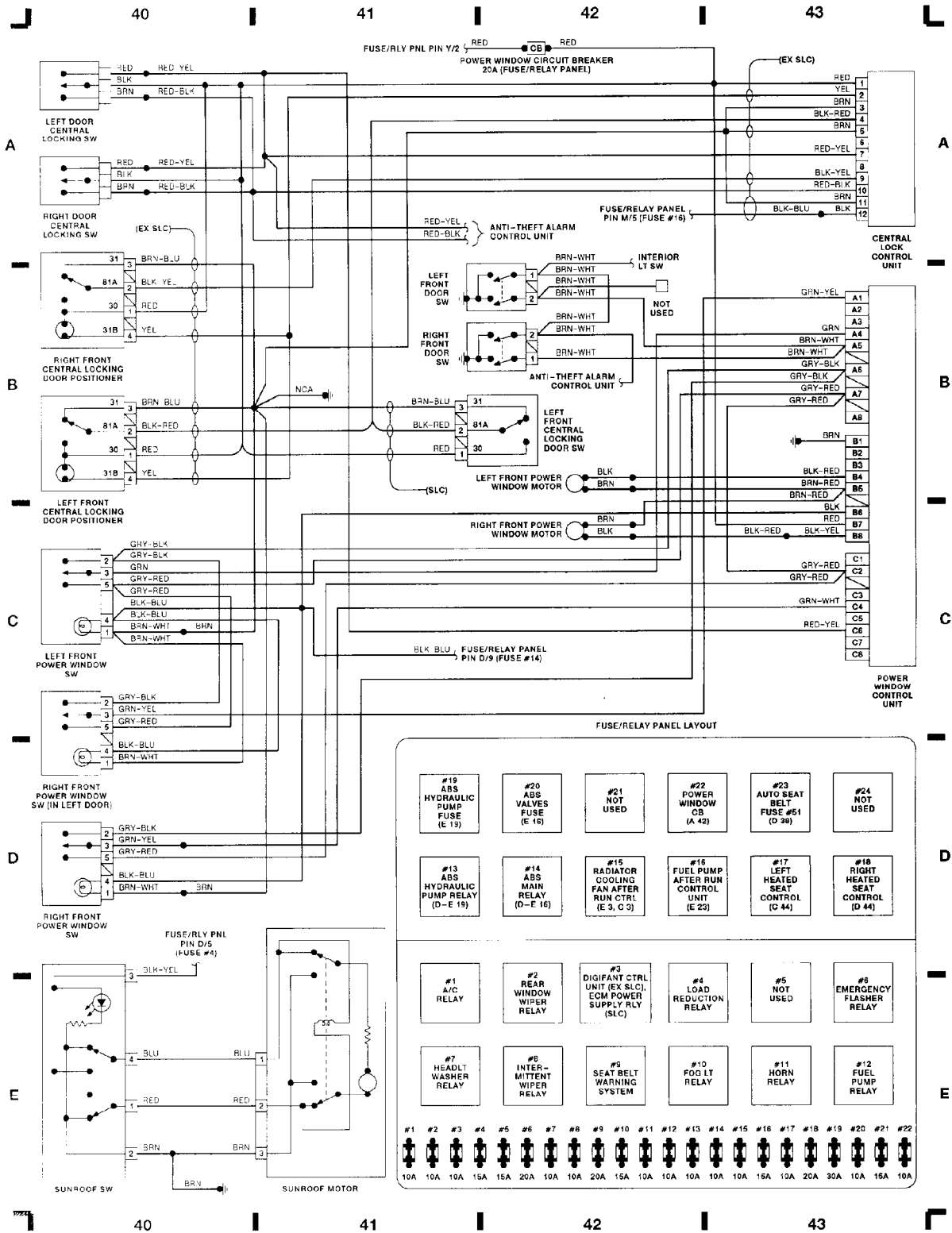
Fig. 9: Warning Module, Fuse/Relay Panel (Grid 32-35)

**WIRING DIAGRAMS**  
**Article Text (p. 12)**  
 1992 Volkswagen Corrado  
 For Volkswagen Technical Site  
 Copyright © 1998 Mitchell Repair Information Company, LLC  
 Tuesday, December 07, 1999 11:25PM



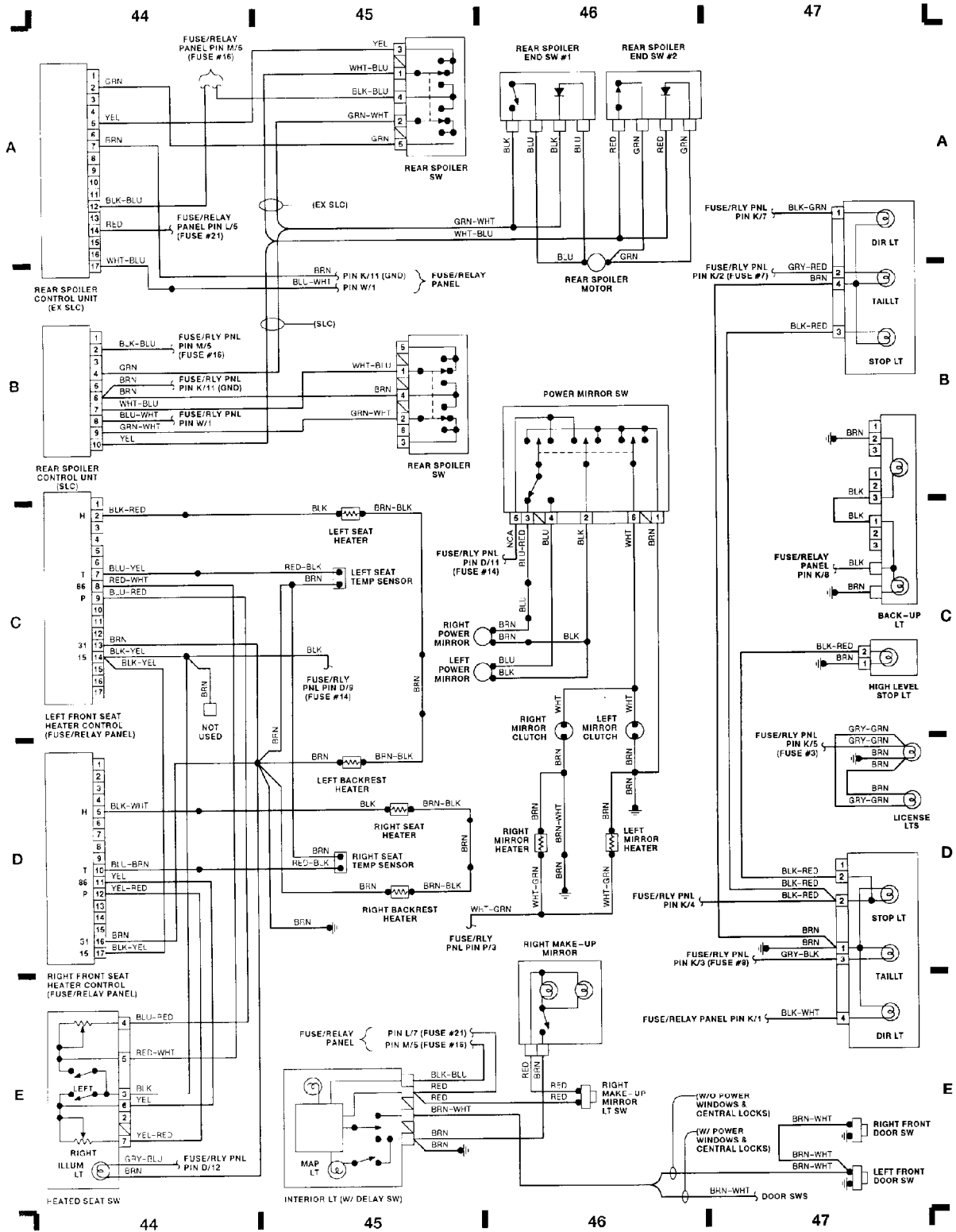
93H03813  
 Fig. 10: Instrument Cluster, Seat Belt Control Unit (Grid 36-39)

**WIRING DIAGRAMS**  
**Article Text (p. 13)**  
 1992 Volkswagen Corrado  
 For Volkswagen Technical Site  
 Copyright © 1998 Mitchell Repair Information Company, LLC  
 Tuesday, December 07, 1999 11:25PM



93J03814  
 Fig. 11: Power Window/Sun Roof, Fuse Panel Layout (Grid 40-43)

**WIRING DIAGRAMS**  
**Article Text (p. 14)**  
 1992 Volkswagen Corrado  
 For Volkswagen Technical Site  
 Copyright © 1998 Mitchell Repair Information Company, LLC  
 Tuesday, December 07, 1999 11:25PM



93C03815

Fig. 12: Power Mirror, Rear Spoiler Control, Tail Light (Grid 44-47)

END OF ARTICLE